

# Cyber Security Laboratory

---

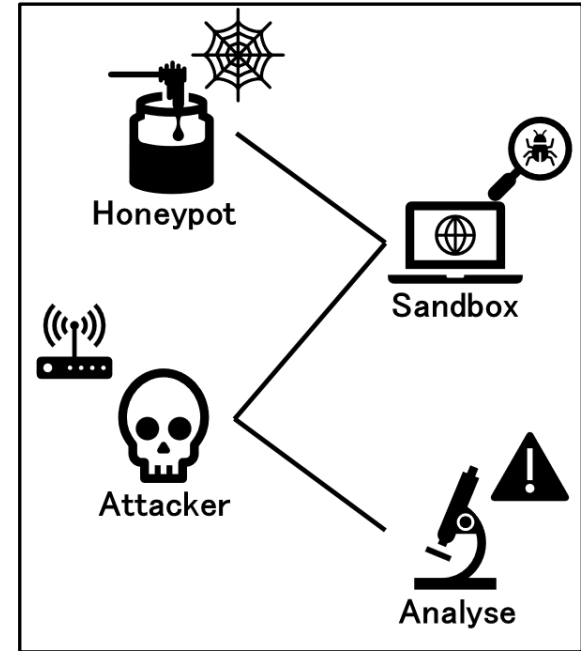
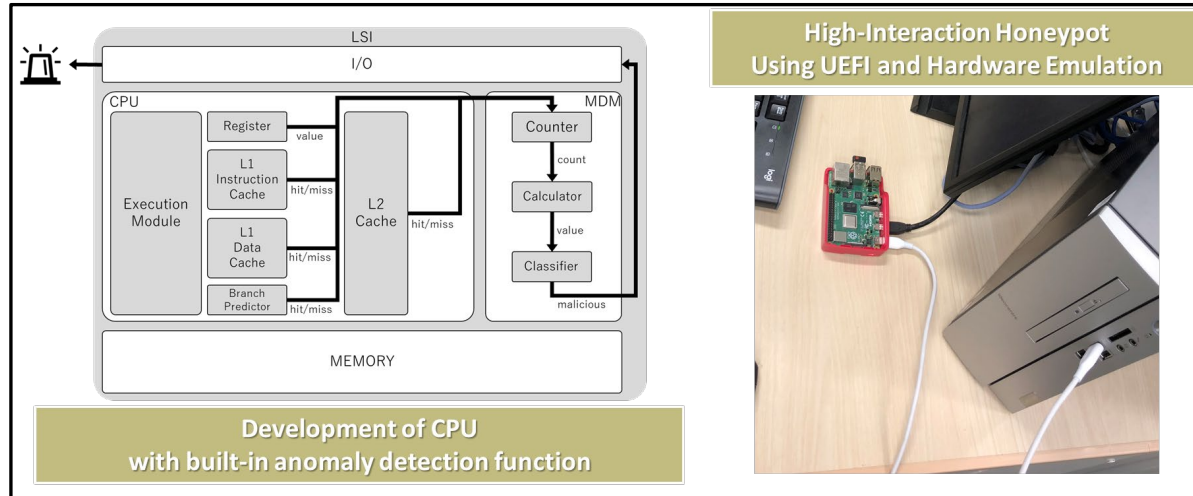
MASAHIKO KATO

HISAFUMI MITSUSHIO

RUI TANABE



# Our research



- ◆ Measurement and collect **Malware binaries**
  - Honeypot, VirusTotal
- ◆ **Malware Dynamic Analysis**
  - Sandbox, Bare-metal machine
- ◆ Monitor and Analyze **Attack Infrastructure**
  - C&C server, Download server
- ◆ **Countermeasure and Notification**
  - Investigation tool, Dataset

